

175 Ton Hydraulic Crane Capacity Chart

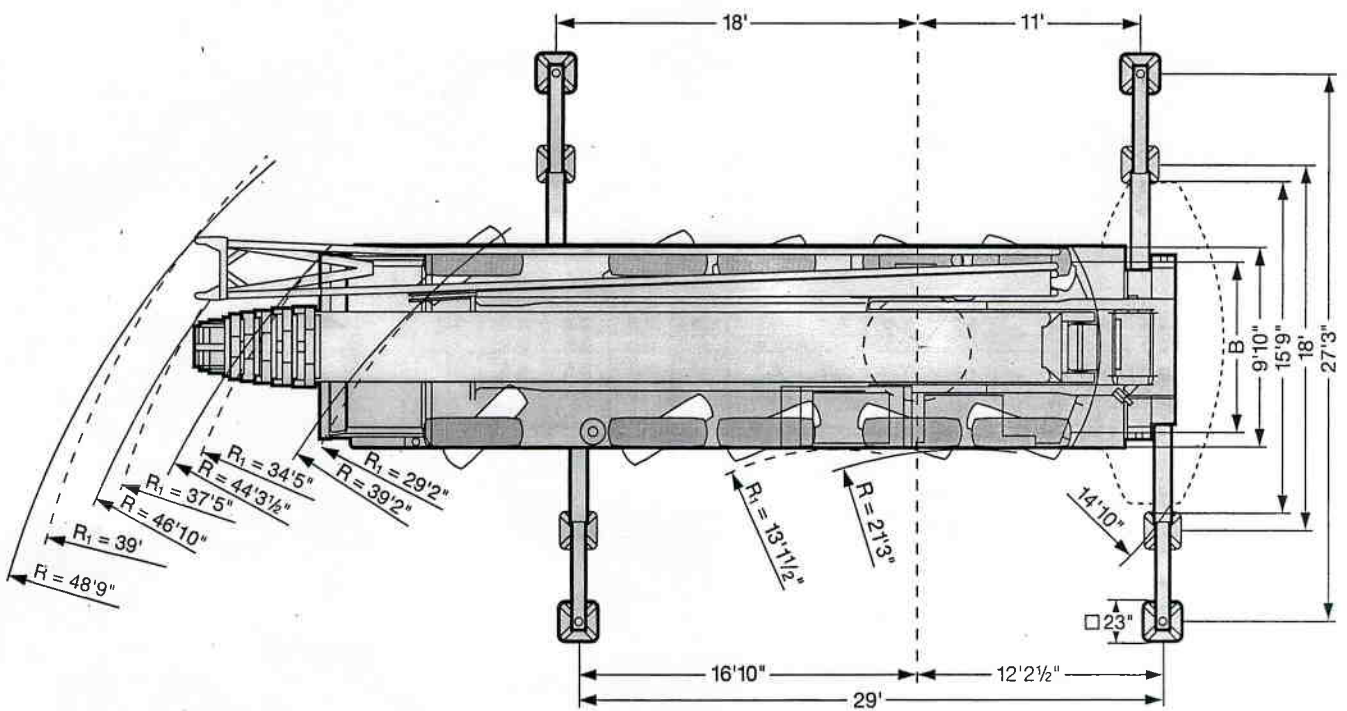
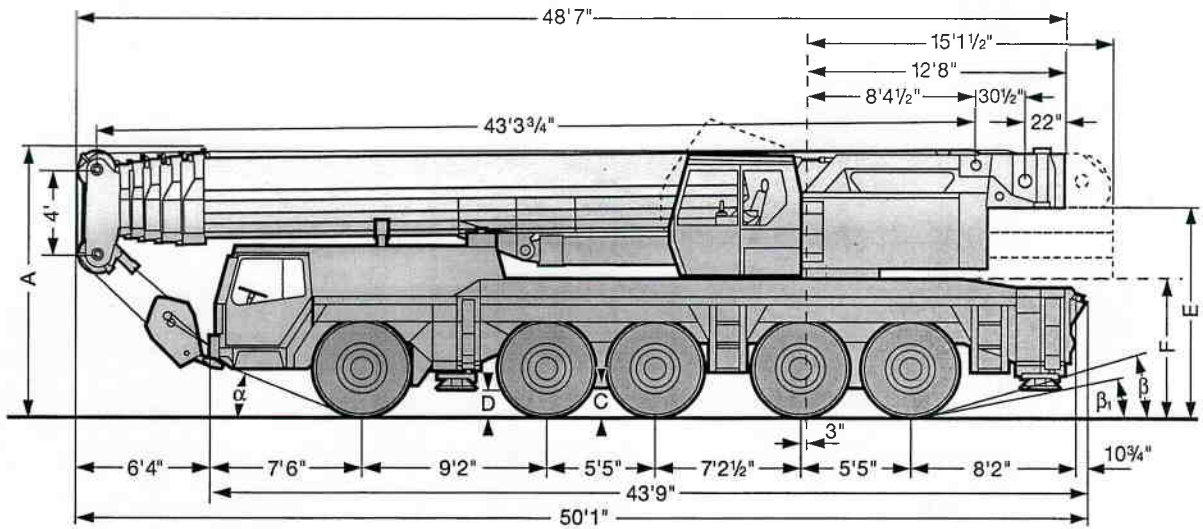
	43 ft	57 ft	72 ft	86 ft	100 ft	114 ft	128 ft	142 ft	156 ft	171 ft
10	317									
11	300									
12	285	271								
13	270	254								
14	257	241	226	203						
15	244	230	215	195	169					
16	233	223	208	189	165					
17	222	215	201	182	161	133				
18	213	208	195	176	157	132				
20	194	193	183	164	149	123	111			
22	178	177	172	154	140	118	108			
24	163	162	160	144	132	112	104	88.5		
26	150	149	147	136	124	107	100	86		
28	139	138	135	128	117	102	96	83	71.5	
30	128	127	124	119	110	97.5	92	80	69.5	58.9
32	119	117	115	109	103	92	88.5	77.5	67.5	57.6
34		109	106	100	96	86	85	74.5	66	56.2
36		102	98	92.5	89	80.5	81.5	72	64	54.8
38		94.5	90.5	85	82.5	75	78	69.5	62	53.4
40		88	83	78.5	76	63.5	74.5	67	60	52
45		77.5	70	66	64	54.6	63.5	61.5	56.1	48.7
50			59.9	56.3	54.8	47.2	54.7	54.1	52.4	45.7
55			51.2	48.4	47.2	41	47.6	47.2	47.7	43
60				41.9	40.8	36	41.8	41.4	42.2	40.4
65				36.4	35.8	31.7	38.8	36.6	37.5	37.3
70				31.4	33.3	27.9	36.2	33.7	33.5	33.5
75					31.1	25.3	33.5	31.3	30	30.1
80					29.2	23.7	30.6	29	26.8	28.3
85					27.5	22.3	27.7	26.9	25.2	26.8
90						21.1	25.3	24.9	23.7	24.8
95						20	22.9	23.1	22.3	22.8
100							20.7	21.4	20.8	20.9
105							18.6	19.4	19.4	19.2
110							16.9	17.7	18.3	17.5




MEGA CRANES LTD.



115							15.3	16.4	16.9	16
120								15.8	15.5	14.6
125								15.3	14.1	13.2
130								14.2	13	12.1
135									12	11
140									11	10
145										9.1
150										8.3
155										7.6



R₁ = All-wheel steering
Direction toutes roues

 16.00 R 25	Dimensions / Encombrement									
	A	A 6"*	B	C	D	E	F	α	β	β ₂
	13'2"	12'7 1/2"	8'5"	18 1/2"	14 3/4"	10'1"	6'11 1/2"	23°	16°	11°

*lowered / abaissé